

# Capsule pressure gauge, copper alloy Plastic case, NS 50 and 63 Model 611.13

WIKA data sheet PM 06.12



for further approvals  
see page 3

**swikap**  
by WIKAI

## Applications

- Medical, vacuum, environmental, laboratory technology, for contents measurement and filter monitoring
- For gaseous, dry and non-aggressive media

## Special features

- Compact design and ingress protection IP53
- Case from plastic
- Special connection location on request
- Low scale ranges from 0 ... 60 mbar
- Maximum scale range 0 ... 1,000 mbar



Capsule pressure gauge, model 611.13

## Description

The model 611.13 capsule pressure gauges are based upon a modular capsule measuring system. One half of the capsule element forms the plastic case and the other half is made of copper beryllium.

The capsule measuring principle is particularly suitable for low pressures. On pressurisation, the expansion of the capsule element, proportional to the incident pressure, is transmitted to the movement and indicated.

The modular design enables a multitude of customer-specific applications. The model 611.13 capsule pressure gauge is used with great success, particularly in medical applications.

## Standard version

### Design

EN 837-3

### Nominal size in mm

50, 63

### Accuracy class

2.5

### Scale ranges

0 ... 60 mbar to 0 ... 1,000 mbar

or all other equivalent vacuum or combined pressure and vacuum ranges

### Pressure limitation

Steady: Full scale value

Fluctuating: 0.9 x full scale value

### Permissible temperature

Ambient: -20 ... +60 °C

Medium: ≤ 60 °C

### Temperature effect

When the temperature of the measuring system deviates from the reference temperature (+20 °C): max. ±0.6 %/10 K of full scale value

### Ingress protection per IEC/EN 60529

IP53

### Process connection

Copper alloy

Lower mount (radial) or centre back mount

G ¼ B (male), SW 14

### Pressure element

Copper beryllium alloy (CuBe)

### Sealing

NBR

### Movement

Copper alloy

### Dial

Aluminium, white, black lettering

### Pointer

Aluminium, black

### Case

Plastic, black








### Window

Plastic, crystal-clear, snap-fitted in case

## Options

- Other process connection
- Sealings (model 910.17, see data sheet AC 09.08)
- Overload safety or vacuum safety (on request)
- Accuracy class 1.6
- Zero point setting, in front
- Restrictor

## Approvals

| Logo  | Description  | Country                     |
|---|--|-----------------------------|
|  | <b>EU declaration of conformity</b><br><ul style="list-style-type: none"> <li>■ Pressure equipment directive</li> <li>PS &gt; 200 bar; module A, pressure accessory</li> </ul> | European Union              |
|  | <b>EAC (option)</b><br><ul style="list-style-type: none"> <li>■ Pressure equipment directive</li> <li>■ Hazardous areas</li> </ul>   | Eurasian Economic Community |
|  | <b>GOST (option)</b><br>Metrology, measurement technology  | Russia                      |
|  | <b>KazInMetr (option)</b><br>Metrology, measurement technology   | Kazakhstan                  |
| -   | <b>MTSCHS (option)</b><br>Permission for commissioning   | Kazakhstan                  |
|  | <b>BelGIM (option)</b><br>Metrology, measurement technology  | Belarus                     |
|  | <b>UkrSEPRO (option)</b><br>Metrology, measurement technology  | Ukraine                     |
|  | <b>Uzstandard (option)</b><br>Metrology, measurement technology  | Uzbekistan                  |
| -   | <b>CPA (option)</b><br>Metrology, measurement technology   | China                       |

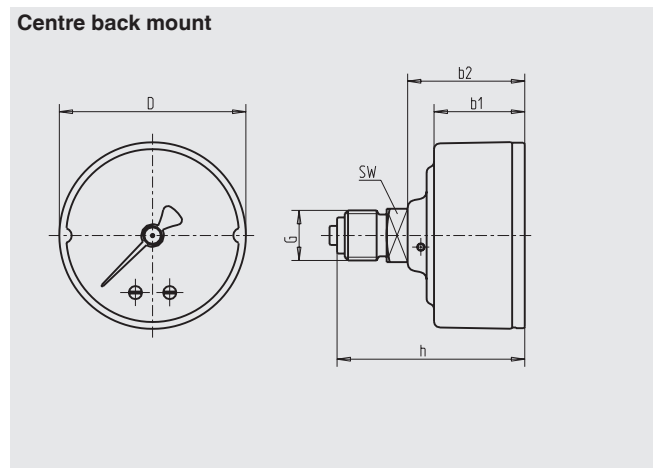
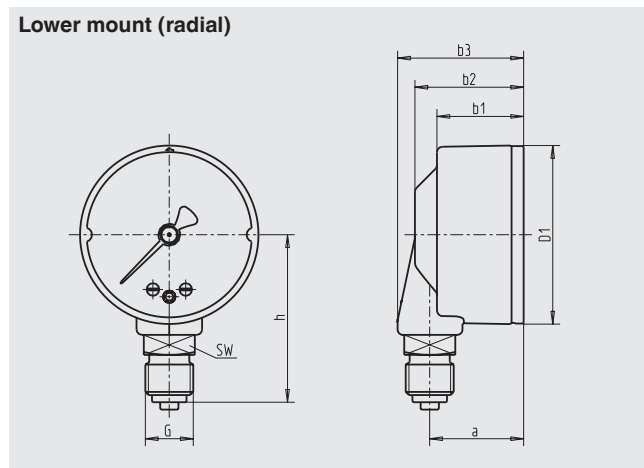
## Certificates (option)

- 2.2 test report
- 3.1 inspection certificate

Approvals and certificates, see website

# Dimensions in mm

## Standard version



| NS | Connection location | Dimensions in mm |                |                |                |    |       |      |    | Weight in kg |
|----|---------------------|------------------|----------------|----------------|----------------|----|-------|------|----|--------------|
|    |                     | a                | b <sub>1</sub> | b <sub>2</sub> | b <sub>3</sub> | D  | G     | h ±1 | SW |              |
| 50 | lower mount         | 26               | 24             | 30             | 35             | 49 | G ¼ B | 48   | 14 | 0.07         |
| 50 | lower mount         | -                | 24             | 31             | -              | 49 | G ¼ B | 51.5 | 14 | 0.07         |
| 63 | centre back mount   | 25.5             | 24             | 29.5           | 34.5           | 62 | G ¼ B | 48   | 14 | 0.08         |
| 63 | centre back mount   | -                | 24             | 31             | -              | 62 | G ¼ B | 51.5 | 14 | 0.08         |

Process connection per EN 837-3 / 7.3

## Ordering information

Model / Nominal size / Scale range / Connection size / Connection location / Options

© 10/2003 WIKA Alexander Wiegand SE & Co. KG, all rights reserved.  
The specifications given in this document represent the state of engineering at the time of publishing.  
We reserve the right to make modifications to the specifications and materials.

